

# Haul Truck Body Up Cable (Tie Back) 23T Specifications



**Rated Capacity:** 23 Ton / 46,000 lbs

This Applied Fiber cable is purpose built to hold up the bed of a haul truck during maintenance operations. The 23 Ton / 46,000 lbs rating is designed to match the maximum strength rating of 1.5" diameter steel wire rope supplied by original equipment manufacturers. Please always consult with your bed/tray provider to ensure a steel cable of this size/rating is appropriate for your configuration, and that length specifications are accurate.

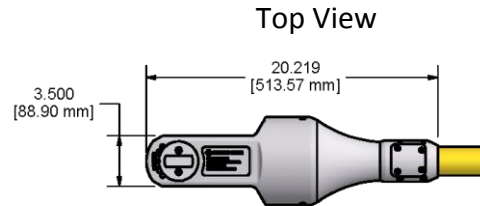
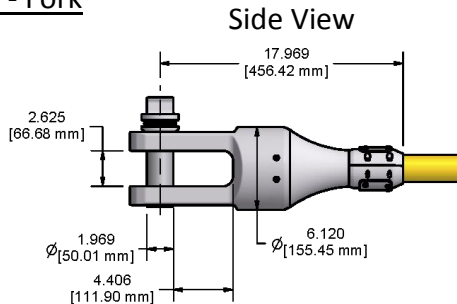
## Materials of Construction

**Cable Materials:** HMPE Plasma™ Fiber Core Strength Member, Twaron™/ Kevlar™ Overbraid, Yellow Extruded Urethane Jacket

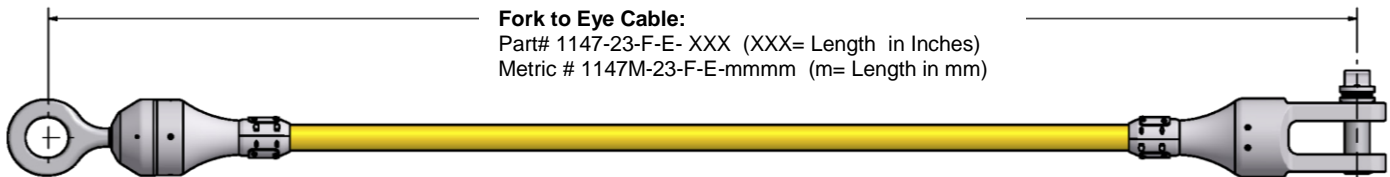
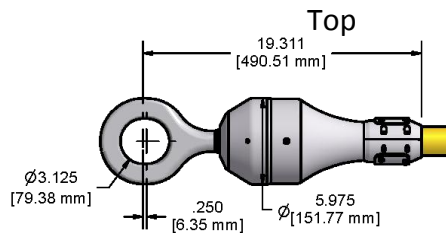
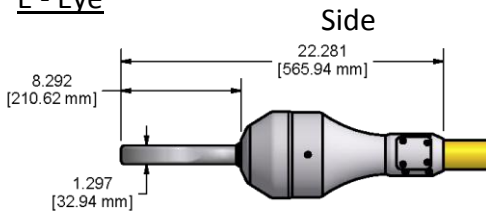
**Anchor and Fitting Material:** 7075-T6 Aircraft Aluminum

**Pins and Hardware:** Heat Treated 4140 Steel

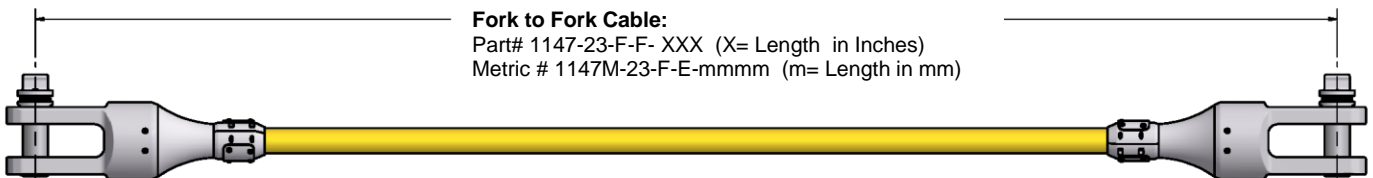
### F- Fork



### E - Eye



**Fork to Eye Cable:**  
Part# 1147-23-F-E- XXX (XXX= Length in Inches)  
Metric # 1147M-23-F-E-mmmm (m= Length in mm)



**Fork to Fork Cable:**  
Part# 1147-23-F-F- XXX (X= Length in Inches)  
Metric # 1147M-23-F-F-mmmm (m= Length in mm)

Inspect before use. Follow OSHA, ANSI B30.9 or Manufacturers Guidelines. Use by untrained persons is hazardous. Improper use will result in serious injury or death. Do not exceed rated capacity. Rated capacities are based on a design factor of 5. Designed for straight pull loads only, do not use as a choker or in a basket configuration. This product will fail if damaged, abused, misused, overused or improperly maintained.

